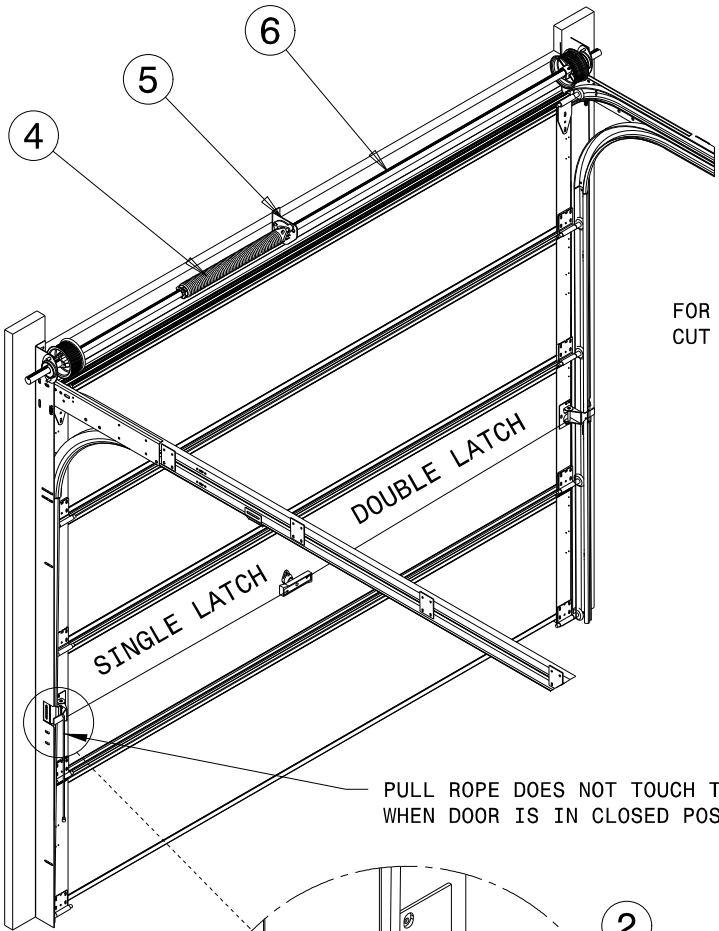


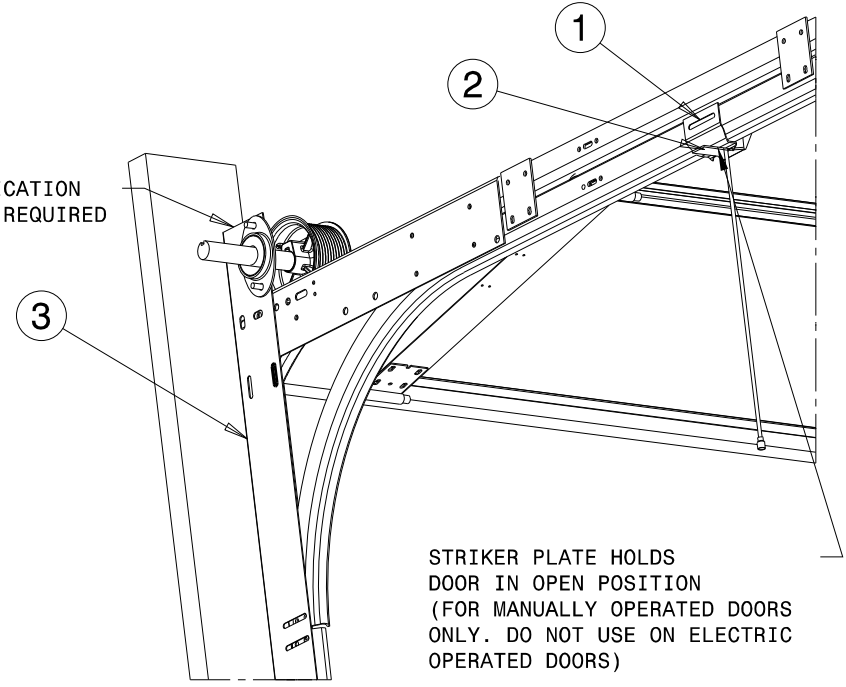
**CE LOW HEADROOM TRACK ASSEMBLY**

Bill of Material

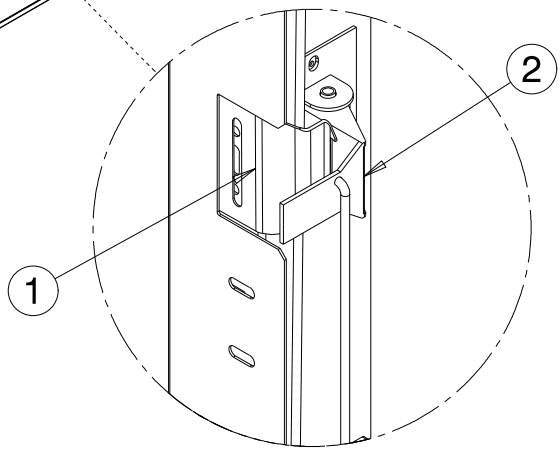
Item #	Qty	Description
1	2	Striker Plate (installed by Installer)
2	1	Auto Latch
3	2	Continuous Angle Mount (16 GA)
4	1	Galvanized Spring
5	1	Spring Break Device
6	1	Galvanized Keyed Tube Shaft



FOR REAR MOUNT APPLICATION  
CUT TOP OF ANGLE IF REQUIRED



PULL ROPE DOES NOT TOUCH THE FLOOR  
WHEN DOOR IS IN CLOSED POSITION



**DOOR LOCK KIT ASSEMBLY COMPONENTS**

