

LOW HEADROOM INSTALLATION FOR FRONT AND REAR MOUNT SPRING APPLICATIONS

FIGURE A: FRONT MOUNT
8" of headroom required

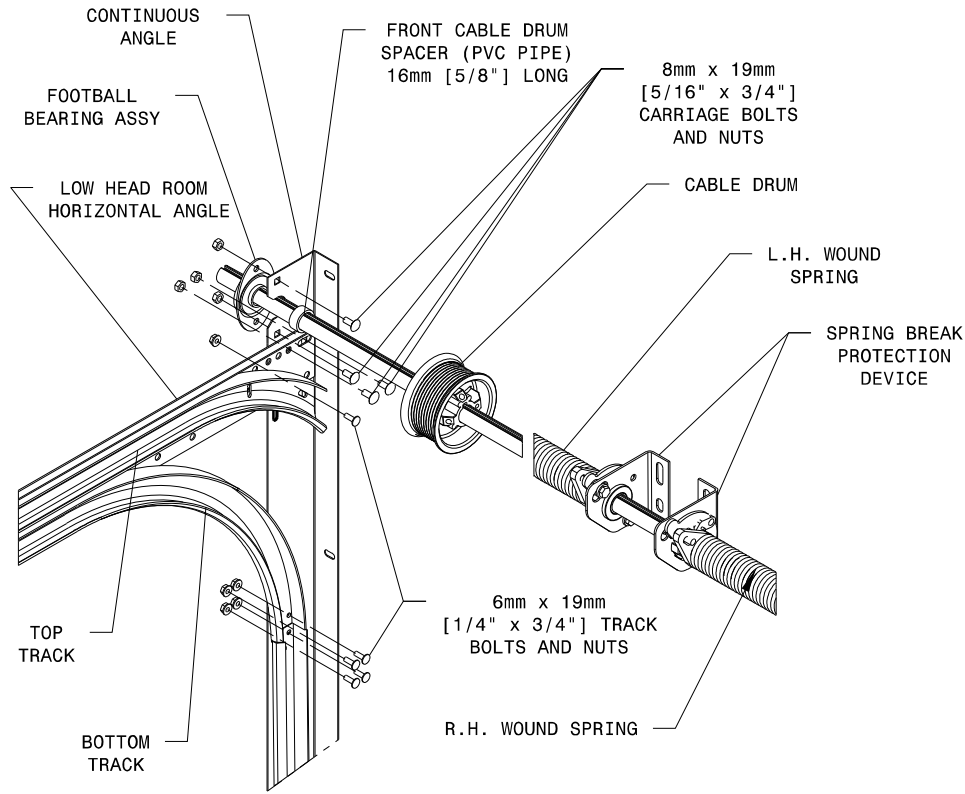


FIGURE B: REAR MOUNT
4" of headroom required

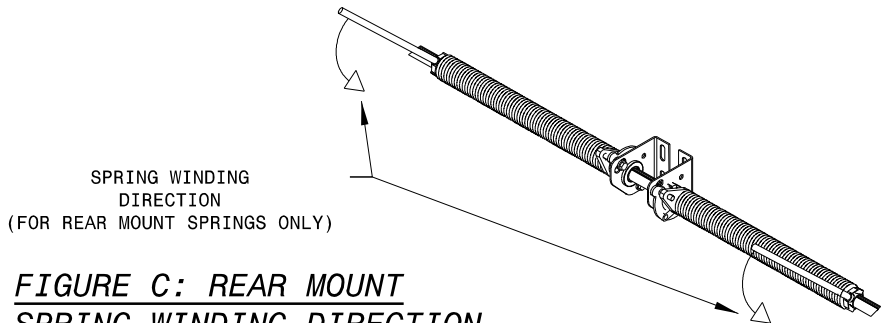
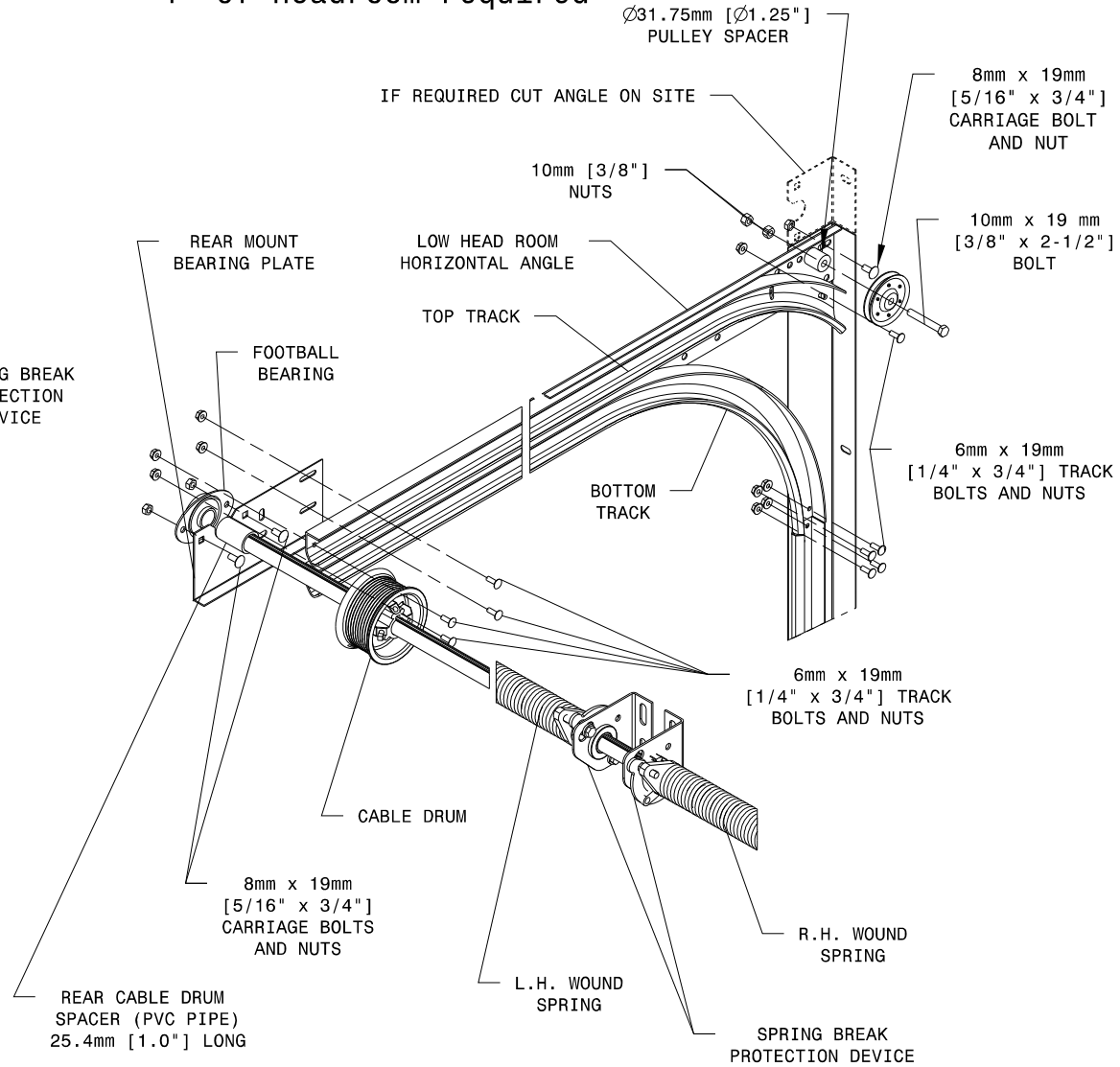


FIGURE C: REAR MOUNT
SPRING WINDING DIRECTION